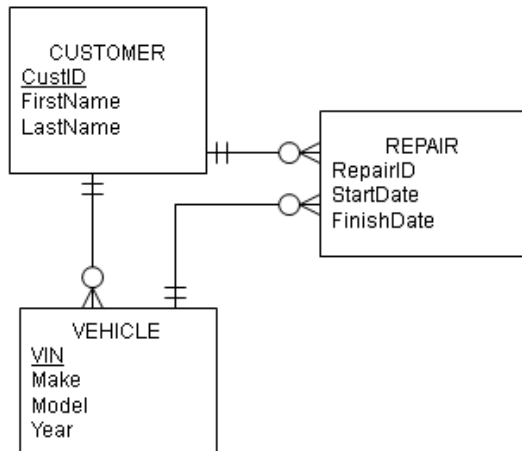


## SQL Fundamentals – CREATE TABLE INSERT TABLE

Based on the data model shown here, write the CREATE TABLE commands to build these tables and their relationships.



Additional information about columns:

CustID – Integer, primary key, not null

FirstName – variable character, 12 characters, not null

LastName – variable character, 14 characters, not null

VIN – variable character, 10 characters, primary key

Make – variable character, 15 characters

Model – variable character, 20 characters

Year – integer

RepairID – Integer, primary key

StartDate – date

FinishDate – date

Example of inserting the date September 10, 2020 (YYYYMMDD):

```
INSERT INTO member
(memberID, Fname, Lname, DateJoined)
VALUES ('51341', 'Bill', 'Smith', '20200910');
```

NOTE: Foreign keys have not been listed but must be included in the SQL commands to create this database.

### SAMPLE DATA

Customers: Taylor Swift, Stephani Germonatta, Jack Johnson

Vehicles: VW Bug 2015, Toyota Corolla 2019, Acura MDX 2019

### What to do:

1. In one file write the DDL SQL commands to create the tables, their columns and the relationships shown in the data model. Be sure the CREATE TABLES statements are in the correct order.
2. In one file write the DML SQL commands to insert two rows of data into each table.
  - a. Be sure the INSERT INTO statements are in the correct order.
  - b. All columns must be populated in these INSERT INTO statements.
3. The files must be simple text files with a TXT or SQL file extension. Don't save them as a DOC or DOCX file in MS Word. Files need to be saved with your last name\_SQL\_STATEMENT\_USED, and your name should be included in a comment line format
4. Test these SQL scripts and make sure they are error-free before submitting them. Submit both files.